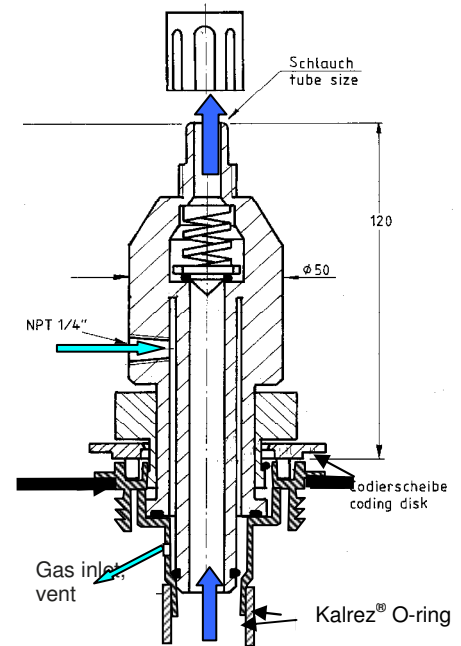
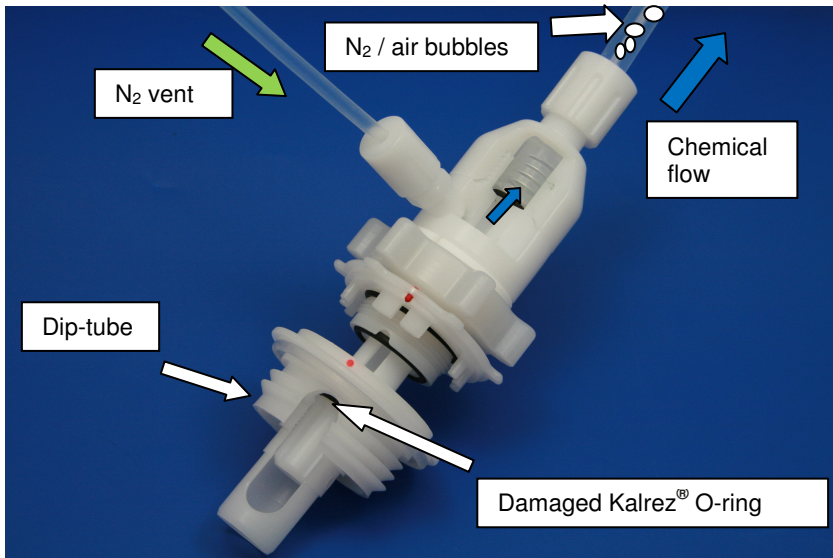


INFO: Troubleshooting of N₂ or Air-bubbles

Quick Connect Class DK / RK / JK /AK



Problem: During pumping of chemicals out of the container, N₂ / air bubbles appear in the tubing of above the dispense head. This may trigger false alarm that the container is empty.

At the beginning, gas bubbles only will appear at a few containers. Later, it will get more severe and affect every container. Finally, there will be a problem to pump out any chemical. The bubbling problems appears earlier with chemicals with high vapor pressure (e.g. HCl 36% or NH₄OH 28%).

Reason: The small Kalrez[®] O-ring (Art. No: D11626) at the tip of the dispense heads separates the chemical flow from the vent (N₂ or air) into the container. After long time of usage, it gets small scratches. This is normal wear & tear, because it gets pulled in/out and squeezed with every drum or IBC hook-up.

The inner diameter of the dip-tubes has a tolerance of about ±0.05mm. Such small tolerances can't be avoided in an injection molding process. Therefore, the first bubbles will appear at containers with dip-tubes at the higher end of the tolerance width.

Solution:



Normally, the Kalrez[®] O-ring lasts more than 200 drum/IBC changes. If air/N₂ bubbles appear in the tubing above the dispense head during pumping of the chemical, it needs to be replaced:

- Clean the Dispense from chemical, e.g. flush with UP water.
- Strip the old O-ring off the dispense head.
- Put the new O-ring on.

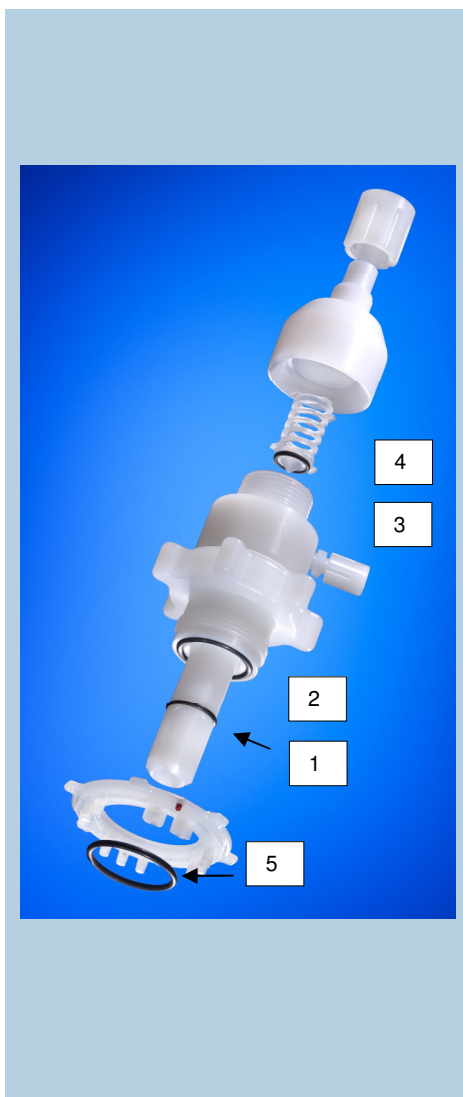
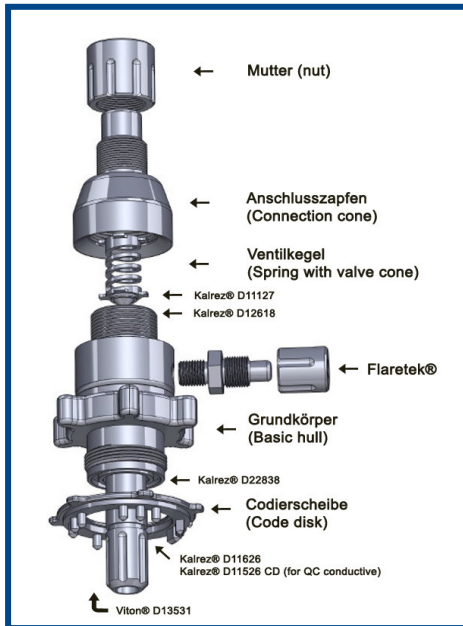
Remark: All the other O-rings at the QC 2 dispense head may not be replaced at all during the life-time of the dispense head.

Original spare parts. For your safety!



INFO: Troubleshooting of N₂ or Air-bubbles

Quick Connect Class DK / RK / JK /AK



Article	discription	Order No.	
nut Flaretek ®	1/4" 3/8" 1/2" 3/4" 1"	FL 4-1 PE FL 6-1 PE FL 8-1 PE FL 12-1 PE FL 16-1 PE	
Connection cone	3/8" 1/2" 3/4" 1/2" tube connection NPT 1/2" fitting inside	RDH-89700-12 RDH-89700-02 RDH-89700-11 RDH-89719-02 RDH-89700-02	
Spring with valve cone	For dispense head For filling head	RDH-89700-05 RDH-89700-17	
Flaretek®	1/4" 3/8" 1/2" 1/4" tube connection	C4-4FN-PE C4-6FN-PE C4-8FN-PE RDH-89742	
Blind stopper	For sealing Flaretek® Gas connection	RDH-89708	
Thread pin	For anti-rotation device from connection cone to basic hull	E-12942	
Code disk	Standard nature electroconductive	RDH-89701 RDH-89701-1	
Basic hull – illustrated O-rings not included	dispense dispense electroconductive filling filling electroconductive	RDH-89700-15 RDH-89700-15 CD RDH-89730-15 RDH-89730-15 CD	
Flaretek® - corner 90°	Size for example	E8-4FN-1	
No. 1: O-ring Kalrez®	Nom: 0,602 x 0,094 in. Nom: 15,30 x 2,40 mm	D11626	
No. 1: O-ring Kalrez® (for QC conductive)	Nom: 0,611 x 0,103 in. Nom: 15,54 x 2,62 mm	D11526 CD	
No 2: O-ring Kalrez®	Nom: 1,109 x 0,139 in. Nom: 28,17 x 3,53 mm	D22838	
No 3: O-ring Kalrez®	Nom: 1,051 x 0,070 in. Nom: 26,70 x 1,78 mm	D12618	
No 4: O-ring Kalrez®	Nom: 0,445 x 0,094 in. Nom: 11,30 x 2,40 mm	D11127	
No 5: O-ring Viton®	35x3 black OR 35 x 3 FKM 70 Shore A	D13531	

Original spare parts. For your safety!

