

The New and Patented Anti-Rotation Clip for Dispense and Fill Heads:



For Even Greater Safety with Minimum Effort



Easily engaged with one quick click to secure against unwinding.
Adds additional safety with no change to the wetted components.

Watch the video at our
AS QC-System YouTube-channel:



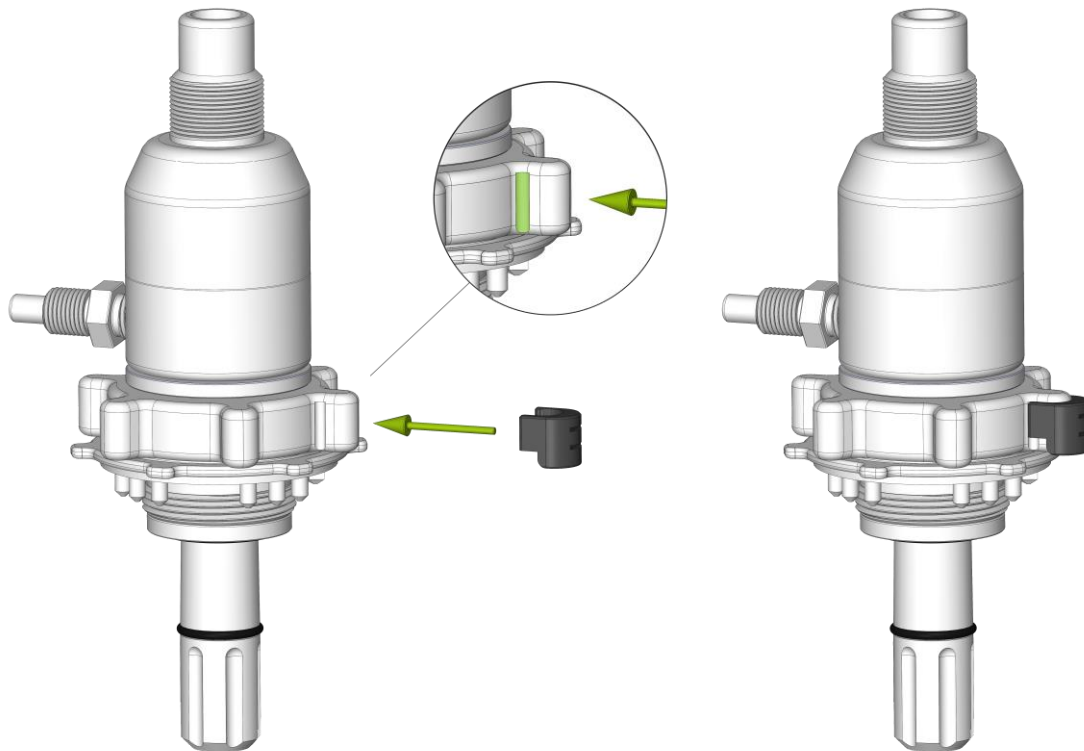
AS Strömungstechnik GmbH | elly-beinhorn-str. 7 | 73760 ostfildern | germany
tel.: +49 (0) 7 11 220548-0 | fax: +49 (0) 711 220548-29 | e-mail: info@asstroemungstechnik.de
www.asstroemungstechnik.de | DIN-certified ISO 9001:2015 | district court stuttgart HRB 224744
managing director: andreas szeteli, michael szeteli, thomas raißer



The New and Patented Anti-Rotation Clip for Dispense and Fill Heads:



Incorporated with Every Dispense and Fill Head Starting August 2017 - Easy to Retrofit Existing Models



The **Anti-Rotation Clip** can be easily clipped externally into the intended groove of the tightening nut.

All Dispense and Fill Heads of the product lines QC2 and G-Series with a manufacturing date after May 2013 (05/13) can be easily retrofitted at low-cost.

Color	To be used with		Item-no.
Red	Fill Head (PE, PVDF, CD)	QC2 and G-Series	RDH-89700-42-R
White	Dispense Head (CD)		RDH-89700-42-W
Black	Dispense Head (PE, PVDF)		RDH-89700-42-S



AS Strömungstechnik GmbH | elly-beinhorn-str. 7 | 73760 ostfildern | germany
 tel.: +49 (0) 7 11 220548-0 | fax: +49 (0) 711 220548-29 | e-mail: info@asstroemungstechnik.de
 www.asstroemungstechnik.de | DIN-certified ISO 9001:2015 | district court stuttgart HRB 224744
 managing director: andreas szeteli, michael szeteli, thomas raißer

