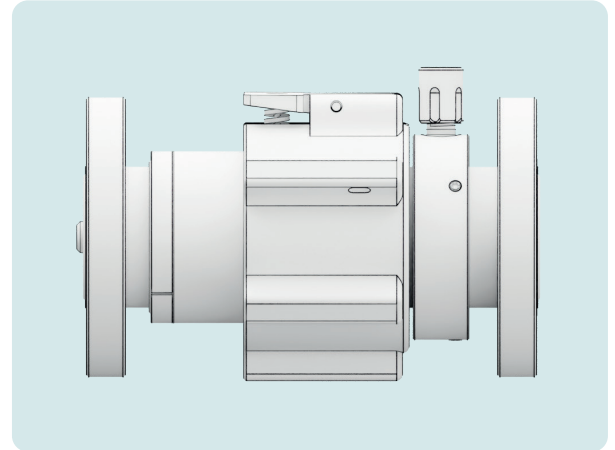
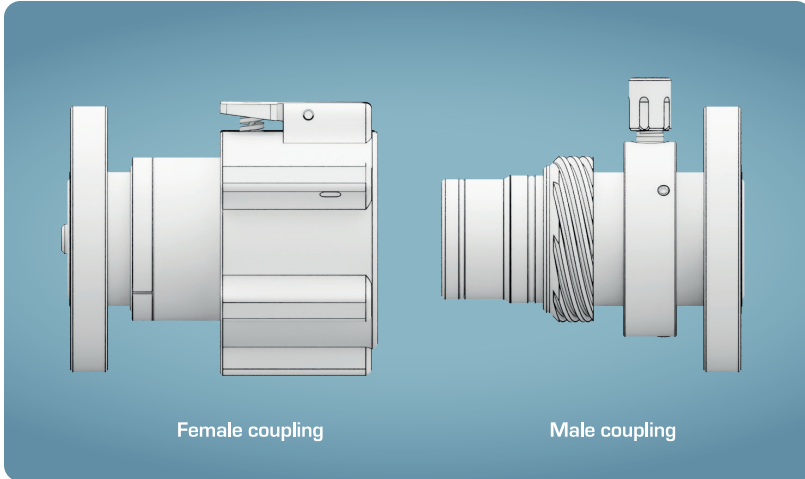
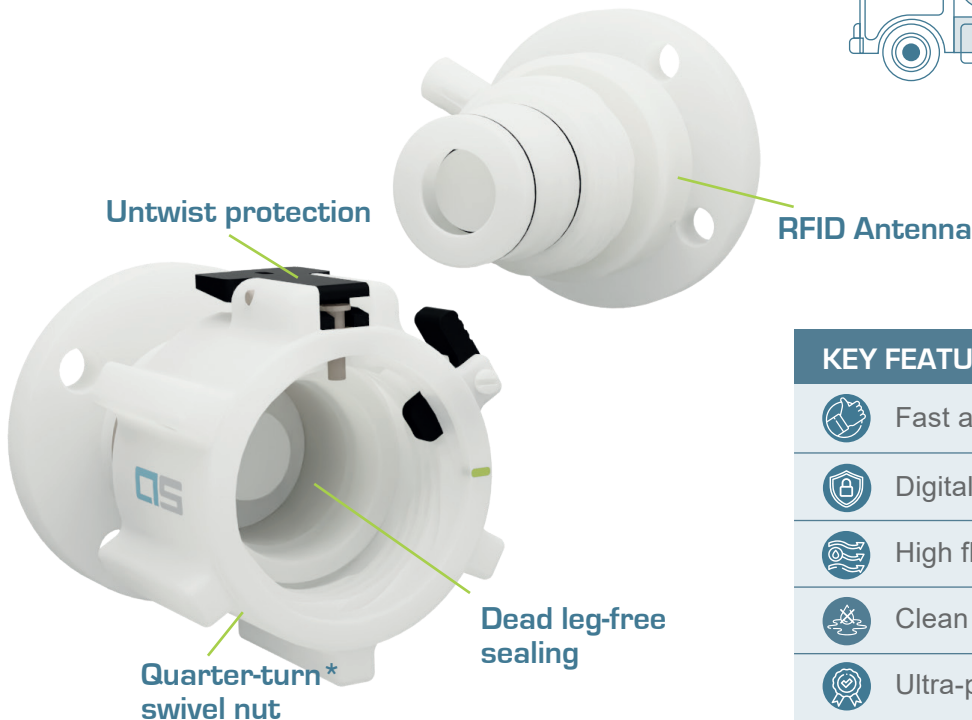
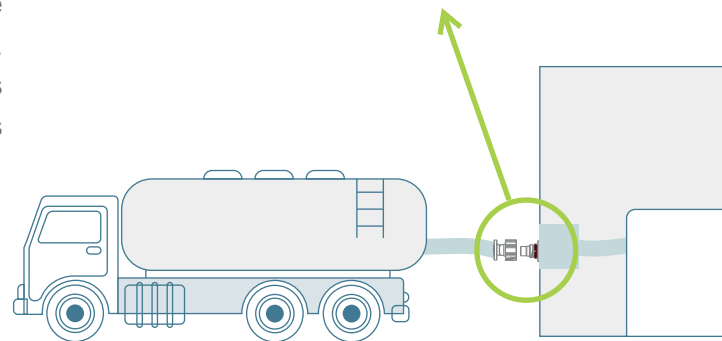


Chemical Resistant Quick Couplings

self-sealing, no dead spaces, no contamination



The AS Quick Coupling for ISO tank containers is a state-of-the-art liquid coupling device, engineered for the efficient and safe transfer of high-purity chemicals. Constructed from premium-grade ultra pure plastics, this coupling is specifically designed to meet the rigorous demands of the semiconductor and chemical industries.



KEY FEATURES:	
	Fast and easy connection.
	Digital key-code to prevent mix-ups.
	High flow rates for fast emptying.
	Clean disconnection.
	Ultra-pure plastics, no wetted metal parts.

High Flow Rate:

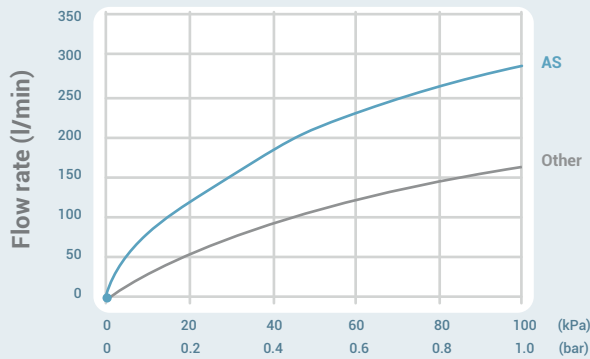
Optimized design facilitates a superior flow rate, enabling faster and more efficient fluid transfer.

Note: Flow rates with other hose connections may differ.

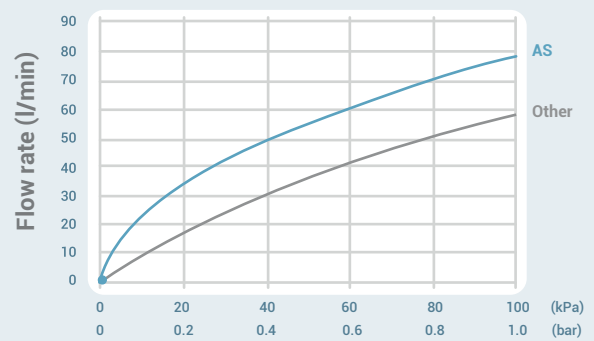
AS Tank Coupling

Connections: Flange ANSI 150
Flow direction: Female to male part

Size: 1-1/2" (DN40)



Size: 1" (DN25)



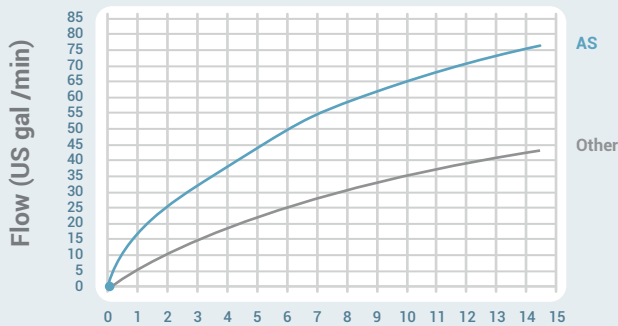
Pressure difference Δp

Test setup according to DIN EN 60534 with water flow.
Data for different configurations available upon request.

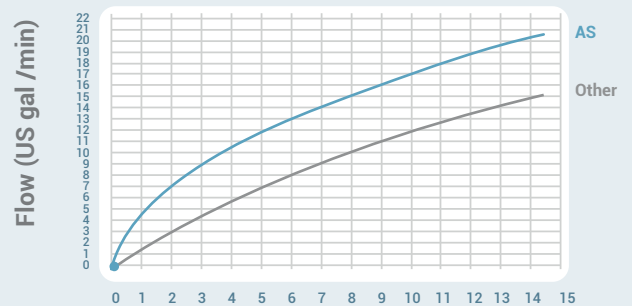
AS Tank Coupling

Connections: Flange ANSI 150
Flow direction: Female to male part

Size: 1-1/2" (DN40)



Size: 1" (DN25)



Pressure difference Δp (psi)

Test setup according to DIN EN 60534 with water flow.
Data for different configurations available upon request.

Tank Coupling

Digital Chemical Key-Code:

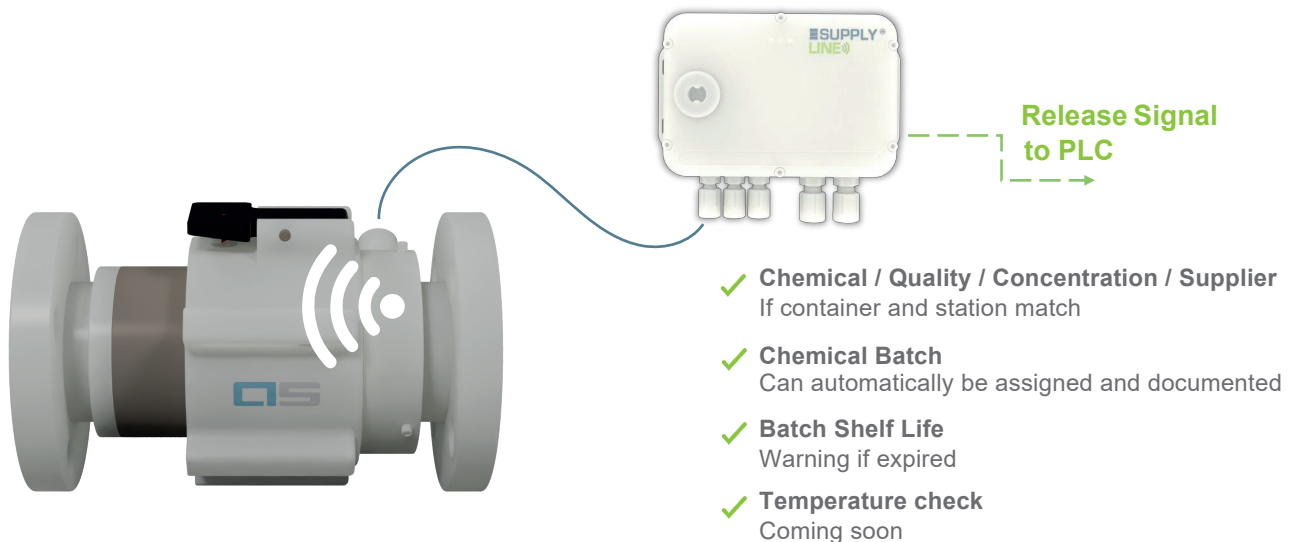
The female part of the coupling, attached to the tank container, contains an integrated a SupplyLine® RFID chip. When connected, the male part's RFID antenna, in conjunction with a SupplyLine® Gateway, verifies the correct chemical connection, preventing dangerous mix-ups and accidents.

Female part (tank container)

RFID Chip incorporated as a standard. Can be assigned with the chemical name, batch no., inspection and expiry dates using an RFID scanner and SupplyLine®.

Male part (unloading / loading station)

Can be equipped with a RFID antenna and SupplyLine® Gateway, allowing automatic verification and release signal to the plant PLC.



Easy Quarter-Turn Coupling Mechanism:

This coupling is designed for easy handling, requiring only a quarter turn* to securely connect or disconnect, significantly reducing the effort and time compared to traditional couplings.

**Valid for DN40 size. Other sizes might differ slightly.*



Zero Dead Space on Disconnection:

The form-fitting design of the coupling halves and the self-closing valves ensure a clean disconnection, maintaining a safe and efficient work environment.

Tank Coupling

User-Friendly Operation:

Intuitive design and lightweight construction ensure ease of handling and operation, reducing operator strain and improving workflow.

Universal Chemical Resistance and Purity:

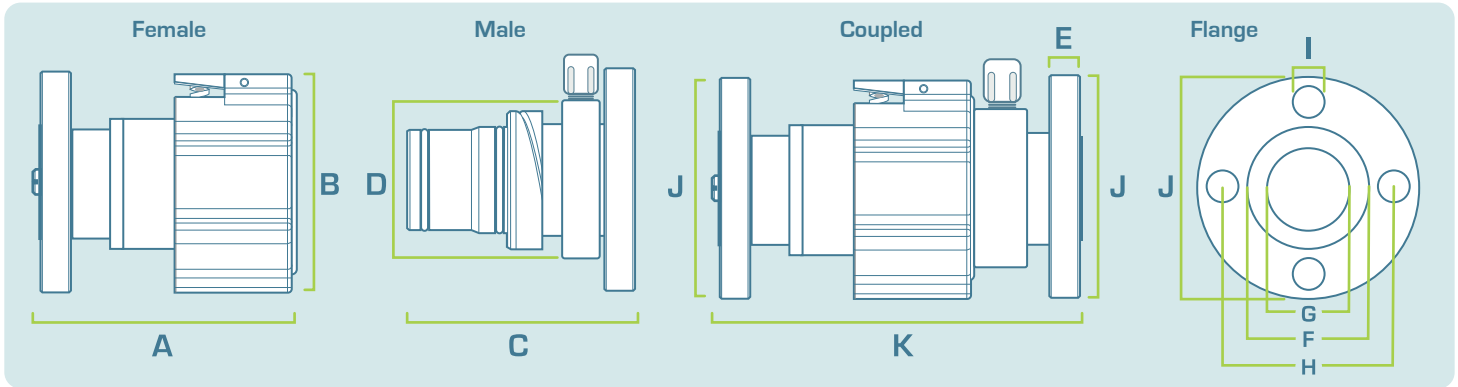
Constructed from high-performance fluoroplastics, this coupling offers superior chemical resistance and exceptional purity, ensuring maximum reliability and contamination-free operation.

Materials of construction		PTFE version Available in 1-1/2" and 1"		PTFE version Only available in 1"	
		Female Item: TC-40-F-C-K-___ TC-25-F-C-K-___	Male Item: TC-40-M-C-K-___ TC-25-M-C-K-___	Female Item: TC-25-F-T-K-___	Male Item: TC-25-M-T-K-___
Wetted parts	Body	PTFE		PTFE modified	
	Valve	PCTFE PTFE mod. PFA	PCTFE PFA	PCTFE PTFE mod. PFA	PCTFE PFA
	O-Rings	Standard: Kalrez® 6375, FEP encapsulated FKM Alternative: FKM, FEP encapsulated FKM		Standard: Kalrez® 6375, FEP encapsulated FKM Alternative: FKM, FEP encapsulated FKM	
Non-Wetted parts	Flanges (if applicable)	Standard: PVDF Alternative: Stainless Steel		Standard: PVDF Alternative: Stainless Steel	
	Swivel nut	PTFE	N/A	PTFE	N/A
	Valve core	Hastelloy (PFA encapsulated)		Hastelloy (PFA encapsulated)	
	Others (if applicable)	PEEK, PVC, PP,PVDF PTFE	PEEK, FEP encapsulated O-Ring, PVDF,PP	PEEK, PVC, PP,PVDF PTFE	PEEK, FEP encapsulated O-Ring, PVDF,PP

Further materials and configurations are available upon request.

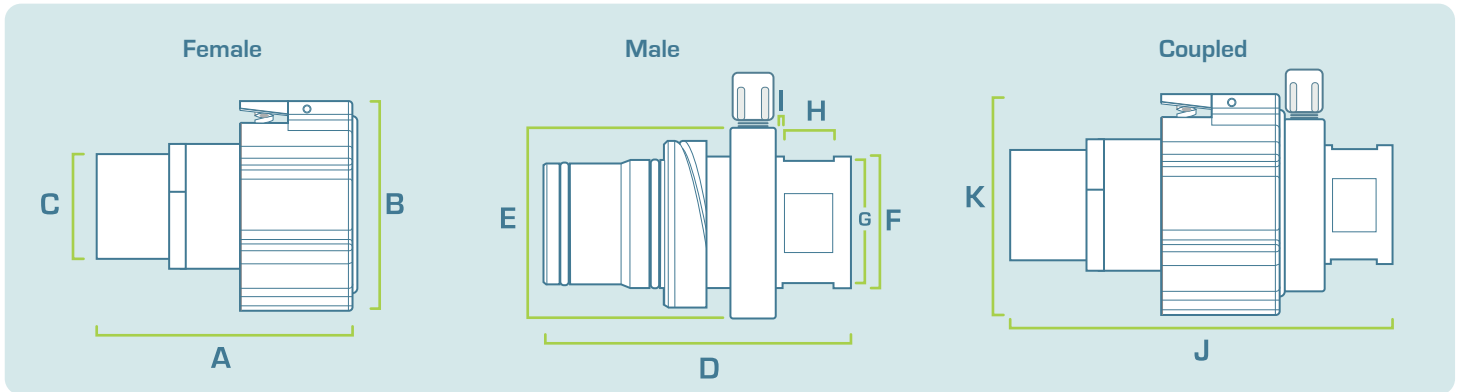
Tank Coupling

Dimensions with Flange connections



Size	Hose Connection	Item no.	Female		Male		Flange connections				Number of bore holes	Coupled				
			A Length	B Diameter swivel nut	C Length	D Diameter RFID Antenna	E Thickness	F Gasket seat OD	G Gasket seat ID	H Bolt circle		I Diameter bore hole	J Diameter Flange	K Length	Operating pressure (max.)	Operating temperature range
			cm/inch	cm/inch	cm/inch	cm/inch	cm/inch	cm/inch	cm/inch	cm/inch	cm/inch	cm/inch	cm/inch	cm/inch	Bar/psi	C° / F°
1-1/2" (DN40)	Flange 1-1/2" ANSI 150	TC-40-_-_-01	15.1 cm /5.9"	13.0 cm /5.1"	14.3 cm /5.6"	9.3 cm /3.7"	1.8 cm /0.7"	5.0 cm /2.0"	4.4cm /1.7"	9.8 cm /3.9"	4	1.6 cm /0.6"	12.7 cm /5"	20.8 cm /8.2"	4.5 bar / 65.2 psi	5-70°C / 41-158°F
1" (DN25)	Flange 1" ANSI 150	TC-25-_-_-01	11.5 cm /4.5"	9.4 cm /3.7"	8.6 cm /3.4"		1.4 cm /0.6"	3.3 cm /1.3"	2.8 cm /1.1"	7.9 cm /3.1"	4	1.6 cm /0.6"	10.8 cm /4.3"	14.3 cm /5.6"		

Dimensions with Thread connections



Size	Hose Connection	Item no.	Female			Male					Coupled				
			A Length	B Diameter swivel nut	C Diameter body	D Length	E Diameter RFID Antenna	F Diameter body	G Wrench size (4x)	H Wrench size width	I Distance wrench size to RFID Antenna	J Length	K Diameter swivel nut	Operating pressure (max)	Operating temperature range
			cm/inch	cm/inch	cm/inch	cm/inch	cm/inch	cm/inch	cm/inch	cm/inch	cm/inch	cm/inch	cm/inch	Bar/psi	C° / F°
1-1/2" (DN40)	Thread female NPT1-1/2"	TC-40-_-_-02	16.7 cm /6.6"	13.0 cm /5.1"	6.4 cm /2.5"	14.3 cm /5.7"	9.3 cm /3.7"	6.4 cm /2.5"	6.0 cm /2.4"	1.5 cm /0.6"	0.3 cm /0.1"	21.7 cm /8.5"	13.0 cm /5.1"	4.5 bar / 65.2 psi	5-70°C / 41-158°F
	Thread female Rc1-1/2"	TC-40-_-_-04	16.7 cm /6.6"	13.0 cm /5.1"	6.4 cm /2.5"	14.3 cm /5.7"	9.3 cm /3.7"	6.4 cm /2.5"	6.0 cm /2.4"	1.5 cm /0.6"	0.3 cm /0.1"	21.7 cm /8.5"	13.0 cm /5.1"		
	Thread male G2"	TC-40-_-_-03	Available upon request.												
1" (DN25)	Thread female NPT1"	TC-25-_-_-02	13.5 cm /5.3"	9.4 cm /3.7"	4.4 cm /1.7"	10.0 cm /3.9"		5.3 cm /2.1"	3.9 cm /1.5"	1.5 cm /0.6"		17.1 cm /6.7"	9.4 cm /3.7"		
	Thread female Rc1"	TC-25-_-_-04	13.5 cm /5.3"	9.4 cm /3.7"	4.4 cm /1.7"	10.0 cm /3.9"		5.3 cm /2.1"	3.9 cm /1.5"	1.5 cm /0.6"		17.1 cm /6.7"	9.4 cm /3.7"		

Displayed dimensions are based on standard configurations and rounded to one decimal place. Dimensions for other configurations are available upon request.

Note: It is possible to couple parts with different hose connections, e.g. a female part with flange connection can be connected to a male part with thread connections.

Important: The coupling process is only permitted to be carried out without pressure. If threaded connections are used, they must be secured and sealed to the hose line with suitable measures to prevent unintentional unscrewing and leakage.

Tank Coupling

ORDER NUMBER:

TC-40-F-C-K-01

Tank Coupling

Size	Part	Body material	O-Rings (wetted)	Connections
40=1-1/2" (DN40) 25=1" (DN25)	F= Female (for ISO tank container) M= Male (for unloading/ loading station)	C= PCTFE T= PTFE mod. (only available in the 1" DN25 version)	K= Kalrez®/FEP F= FKM/FEP	01= Flange ANSI 150 02= NPT female thread 03= G2" male thread (only available for the 1-1/2" DN40, female part) 04= Rc female thread

Other configurations are available upon request.

Order Number

SupplyLine RFID lock

Incl. antenna for equipping the coupling at the unloading/charging station
RFID-10TKW



Disclaimer:

Please note that all data and specifications presented on this product data sheet, including dimensions, weight, flow rates, and pressures, are approximate and provided for reference purposes only.

Actual values may vary slightly due to manufacturing tolerances, variations in raw material composition, and other factors inherent in the production process. While we strive to provide accurate and up-to-date information, we cannot guarantee that all data is completely precise. We recommend verifying critical dimensions and performance criteria for specific applications.

Furthermore, we reserve the right to make changes to our products at any time and without prior notice, unless explicitly agreed on otherwise, as part of our continuous effort to improve product quality and performance. This includes modifications to the design, materials, illustrations, and the variants listed herein. AS assumes no liability for any discrepancies or deviations in the data provided or for any changes made to product specifications.

SupplyLine® is a registered trademark of AS Strömungstechnik GmbH

Kalrez® is a registered trademark of E. I. du Pont de Nemours and Company

Tank Coupling



Chemical companies and end customers from a wide range of industries already rely on the AS products worldwide

Electronics Semiconductors
 Solar technology and photovoltaics
 Flat screens

Industry Electroplating
 Chemicals
 Printing/Paper
 Water treatment
 Automotive / mechanical engineering
 Adhesives
 Glass
 Agriculture

Pharmacy / Biotechnology / Cosmetics / Foods

Laboratories / Research facilities / Institutes

AS Strömungstechnik GmbH. Made in Germany.



EUROPE – WORLDWIDE

AS Strömungstechnik GmbH
 Elly-Beinhorn-Str. 7
 73760 Ostfildern, Germany
 Tel.: +49 (0) 711 220 548-0
 Fax: +49 (0) 711 220 548-29
 info@asstroemungstechnik.de
 www.asstroemungstechnik.de

USA

A.S. Plastics Technology, Inc.
 644 Shrewsbury Commons
 Avenue #246
 Shrewsbury, PA 17361 USA
 Tel.: +1 (979) 232-2288
 sales@as-plastech.com
 www.as-plastech.com

ASIA – PACIFIC

DUSEMUND PTE LTD
 Dr. Claus Dusemund
 25 International Business Park
 #04 – 62 German Centre
 Singapore 609916
 Tel.: +65 6562 7871
 Fax: +65 6562 7872
 claus@dusemund.com
 www.dusemund.com